



US00D833233S

(12) **United States Design Patent** (10) **Patent No.:** **US D833,233 S**
Bazzicalupo et al. (45) **Date of Patent:** **** Nov. 13, 2018**

(54) **FRUIT SQUEEZER ELECTRIC**
(71) Applicant: **SMEG S.P.A.**, Guastalla (IT)
(72) Inventors: **Leopoldo Bazzicalupo**, Sale Marasino (IT); **Raffaella Mangiarotti**, Milan (IT)
(73) Assignee: **SMEG S.P.A.** (IT)
(**) Term: **15 Years**

D472,775 S *	4/2003	Schwamkrug	D7/665
D473,108 S *	4/2003	De Visser	D7/665
D488,678 S *	4/2004	Berthier	D7/665
D506,360 S *	6/2005	Jørgensen	D7/665
D521,815 S *	5/2006	Fung	D7/665
D544,318 S *	6/2007	Bodum	D7/665
D567,035 S *	4/2008	Ling	D7/665
D628,023 S *	11/2010	Bodum	D7/665
D805,359 S *	12/2017	Kim	D7/665
2013/0255511 A1 *	10/2013	Steiner	A47J 19/02 99/513

(21) Appl. No.: **35/502,392**
(22) Filed: **Oct. 5, 2016**

* cited by examiner

Primary Examiner — Michael A. Pratt
(74) *Attorney, Agent, or Firm* — The Belles Group, P.C.

(80) **Hague Agreement Data**

Int. Filing Date: **Oct. 5, 2016**
Int. Reg. No.: **DM/094414**
Int. Reg. Date: **Oct. 5, 2016**
Int. Reg. Pub. Date: **Feb. 3, 2017**

(57) **CLAIM**

The ornamental design for an electric fruit squeezer, as shown and described.

(51) **LOC (11) Cl.** **31-00**
(52) **U.S. Cl.**
USPC **D7/665**

DESCRIPTION

(58) **Field of Classification Search**
USPC D7/665-668, 372, 376, 381, 382
CPC A47J 19/02; A47J 19/027; A47J 19/00;
A47J 19/06; A47J 19/022; A47J 43/046;
A47J 43/0794; A23N 1/02; A23N 1/003
See application file for complete search history.

- 1. Fruit squeezer, electric
- 1.1** : Perspective
- 1.2** : Front
- 1.3** : Back
- 1.4** : Left
- 1.5** : Right
- 1.6** : Top
- 1.7** : Bottom

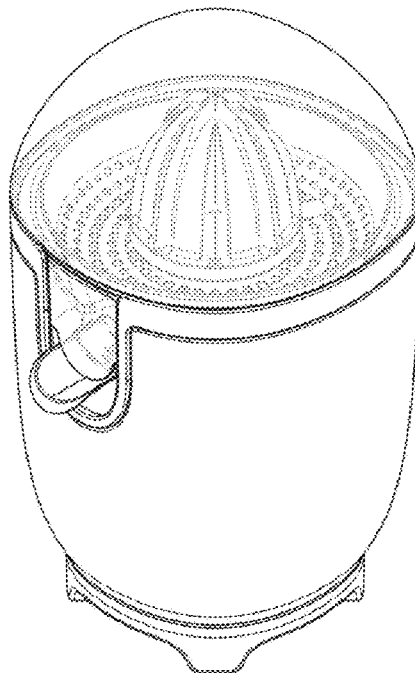
The broken lines shown represent portions of the article that form no part of the claimed design.

(56) **References Cited**

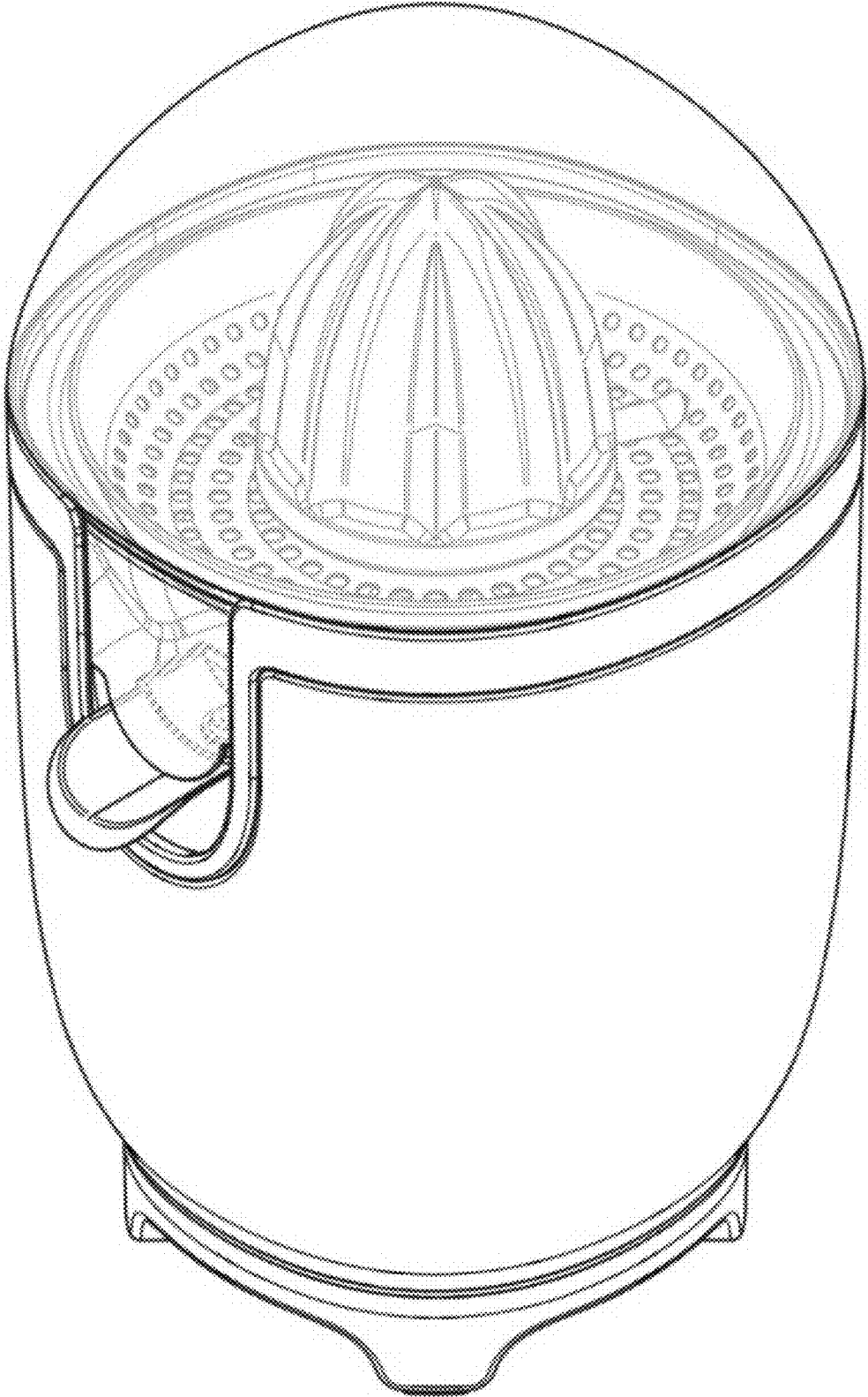
U.S. PATENT DOCUMENTS

D366,398 S * 1/1996 Alessi Anghini D7/665
D450,545 S * 11/2001 Au D7/665

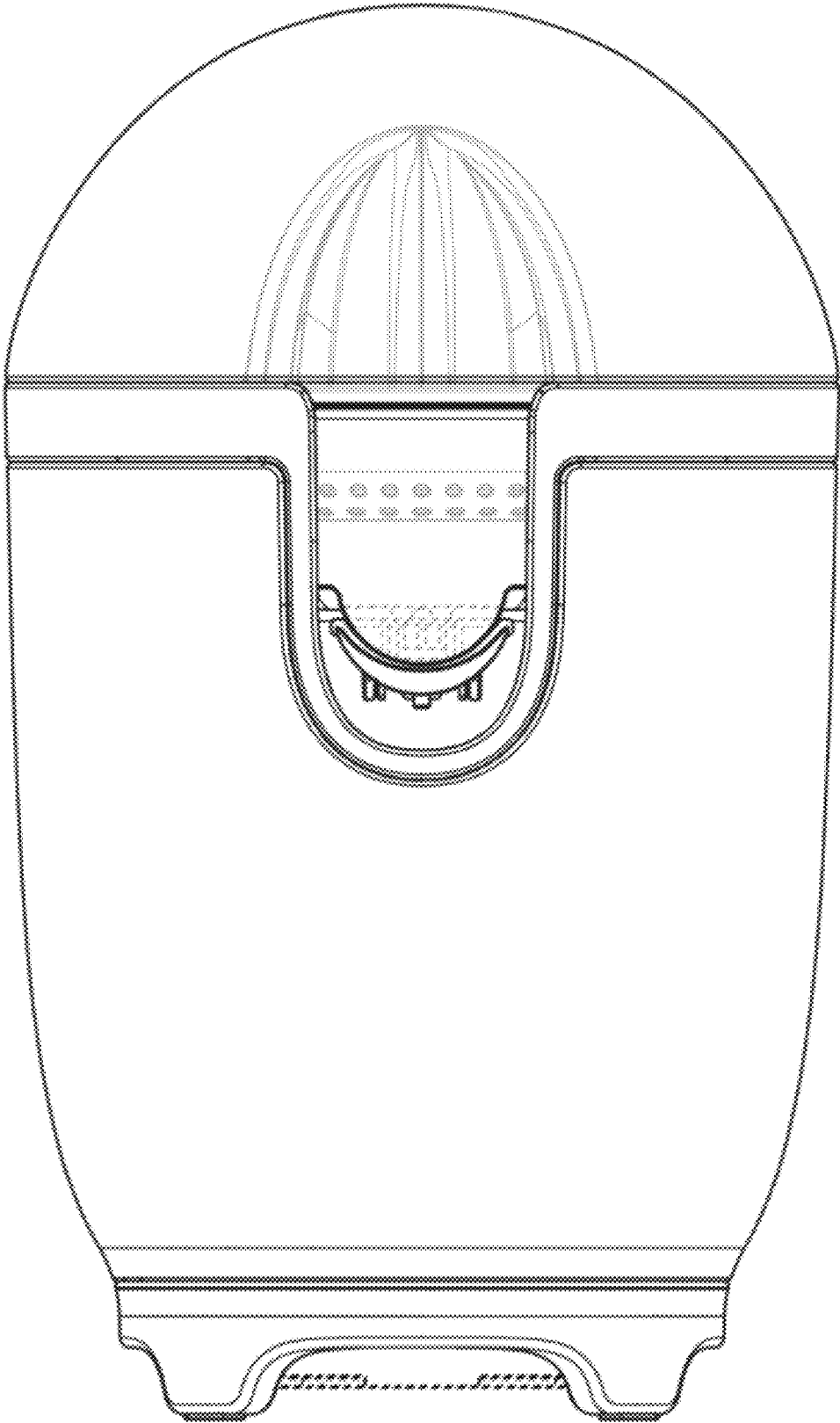
1 Claim, 7 Drawing Sheets



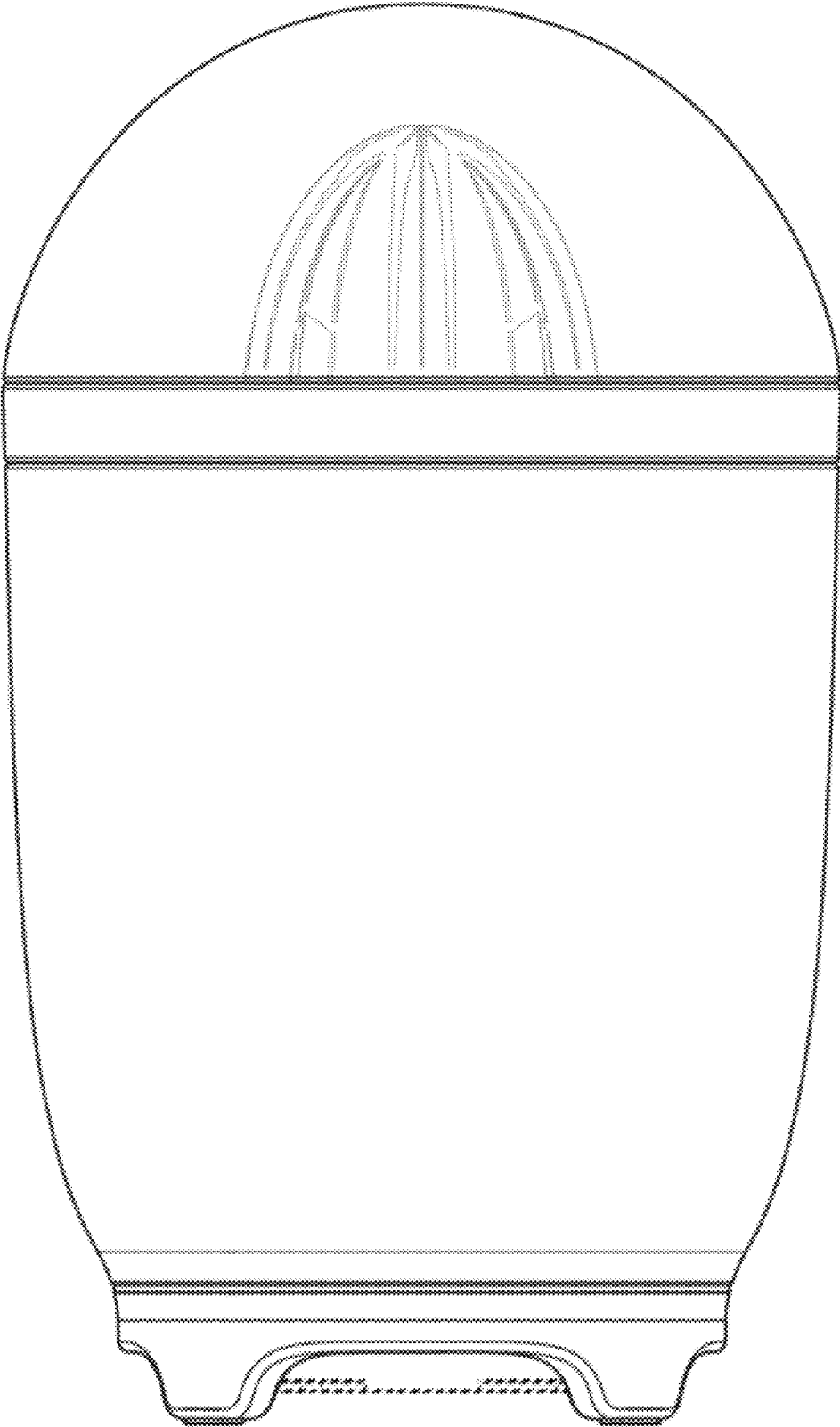
1.1



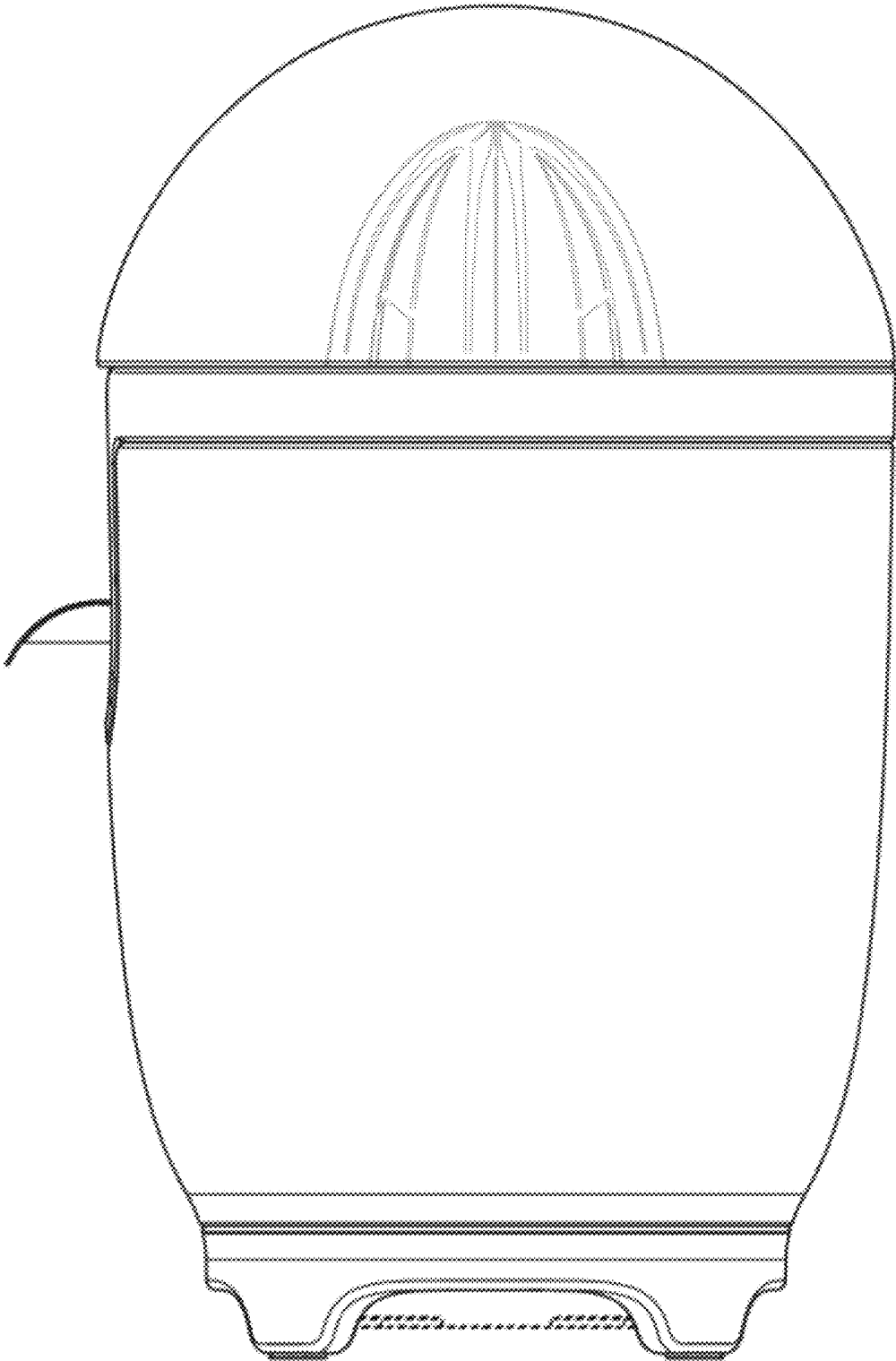
1.2



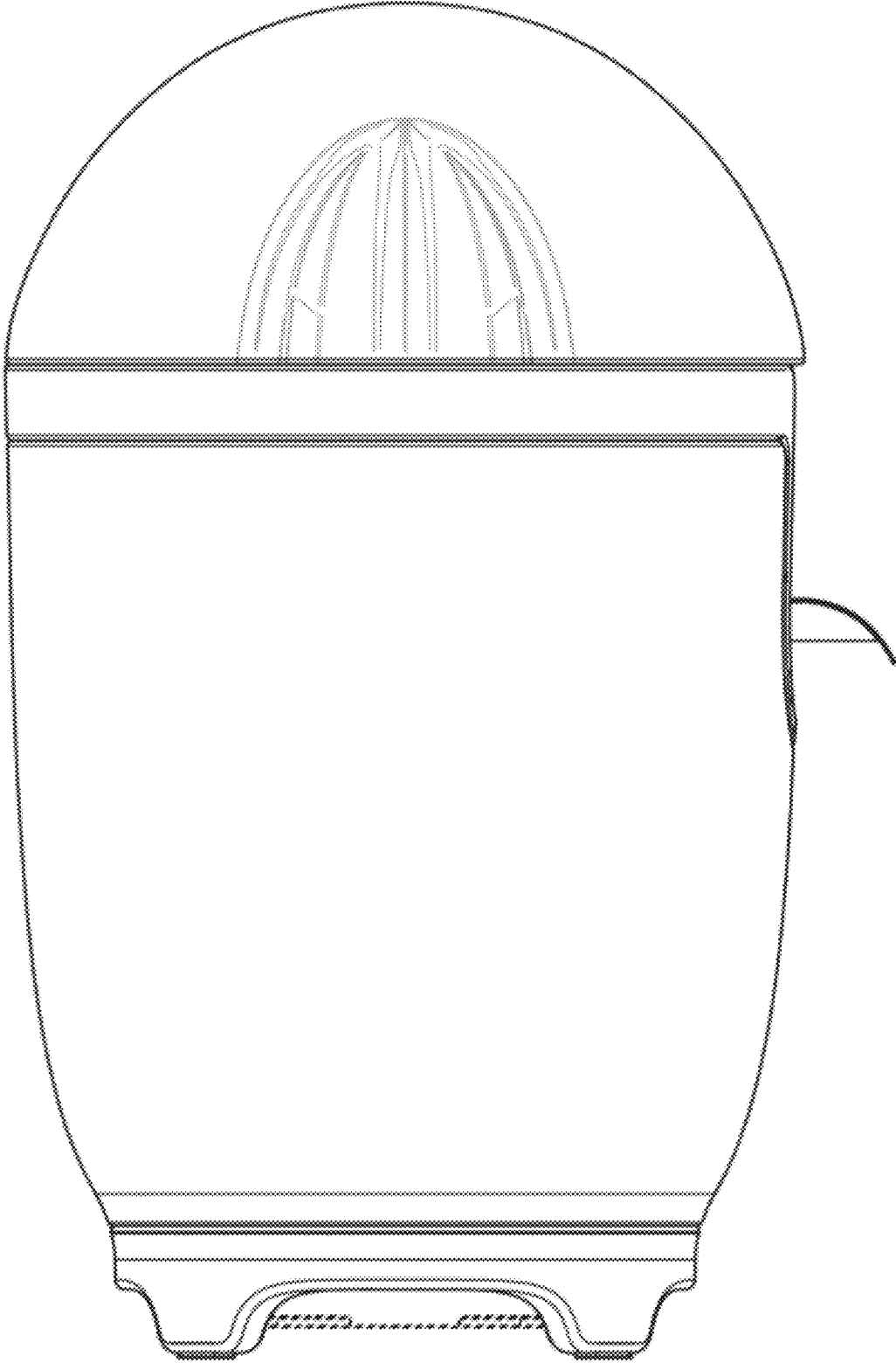
1.3



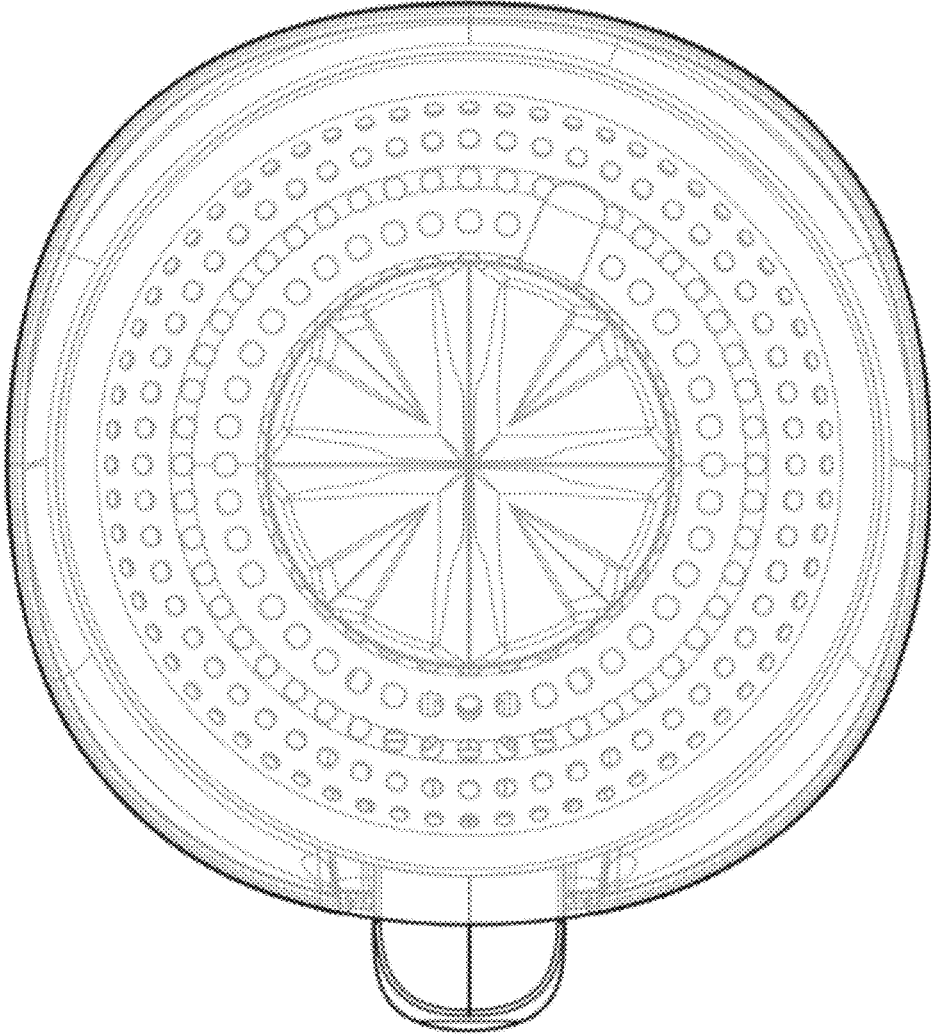
1.4



1.5



1.6



1.7

