



US00D886164S

(12) **United States Design Patent**  
**Mangiarotti et al.**

(10) **Patent No.:** **US D886,164 S**

(45) **Date of Patent:** **\*\* Jun. 2, 2020**

(54) **REFRIGERATOR**

2500/06; F25D 2700/02; F25D 2700/12;  
F25D 29/005; F25D 29/008; F25D  
31/002

(71) Applicant: **Smeg S.p.A.**, Guastalla (RE) (IT)

See application file for complete search history.

(72) Inventors: **Raffaella Mangiarotti**, Milan (IT);  
**Leopoldo Bazzicalupo**, Sale Marasino  
(IT); **Bujar Taga**, Guastalla (IT)

(56) **References Cited**

U.S. PATENT DOCUMENTS

(73) Assignee: **SMEG S.P.A.** (IT)

D287,133	S	*	12/1986	Owen	.....	D15/81
D290,012	S	*	5/1987	Owen	.....	D15/81
D776,171	S	*	1/2017	Wang	.....	D15/88
D803,903	S	*	11/2017	Wang	.....	D15/88
D847,874	S	*	5/2019	Kim	.....	D15/81
D852,853	S	*	7/2019	Kim	.....	D15/81
D853,454	S	*	7/2019	Kim	.....	D15/81

(\*\*) Term: **15 Years**

(21) Appl. No.: **35/506,654**

(22) Filed: **Oct. 16, 2018**

\* cited by examiner

(80) **Hague Agreement Data**

Int. Filing Date: **Oct. 16, 2018**  
Int. Reg. No.: **DM/200503**  
Int. Reg. Date: **Oct. 16, 2018**  
Int. Reg. Pub. Date: **Apr. 19, 2019**

*Primary Examiner* — Richard E Chilcot

(74) *Attorney, Agent, or Firm* — The Belles Group, P.C.

(30) **Foreign Application Priority Data**

Apr. 16, 2018 (EM) ..... 005236536

(51) **LOC (12) Cl.** ..... **15-07**

(52) **U.S. Cl.**

USPC ..... **D15/81**; D15/88  
CPC ..... **F25D 29/00** (2013.01)

(58) **Field of Classification Search**

USPC ..... D15/79-91  
CPC .... F25D 29/00; F25D 11/003; F25D 2700/08;  
F25D 11/02; F25D 11/022; F25D 13/06;  
F25D 19/006; F25D 2201/14; F25D  
2323/00261; F25D 2323/00262; F25D  
2323/00272; F25D 2400/361; F25D

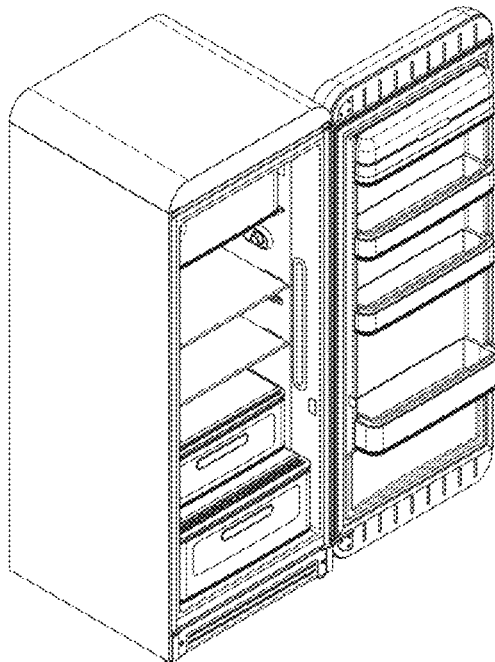
(57) **CLAIM**

The ornamental design for a refrigerator, as shown and described.

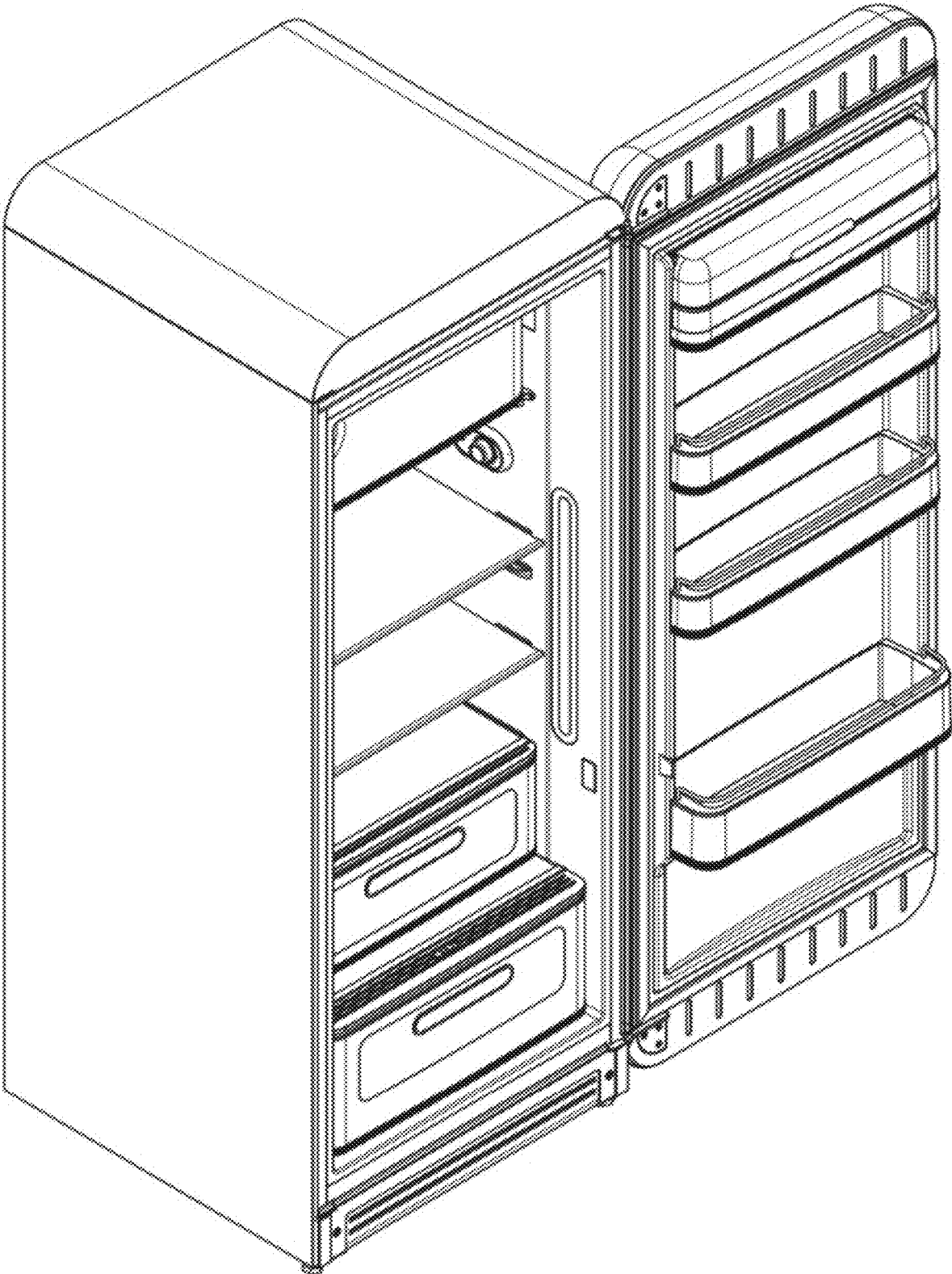
**DESCRIPTION**

1. Refrigerator
  - 1.1 Front perspective view with the door in the open position;
  - 1.2 Front perspective view with the door in the close position;
  - 1.3 Front view with the door in the open position;
  - 1.4 Rear view with the door in the open position; and
  - 1.5 : Right side view
  - 1.6 : Left side view
  - 1.7 Top view with the door in the open position.

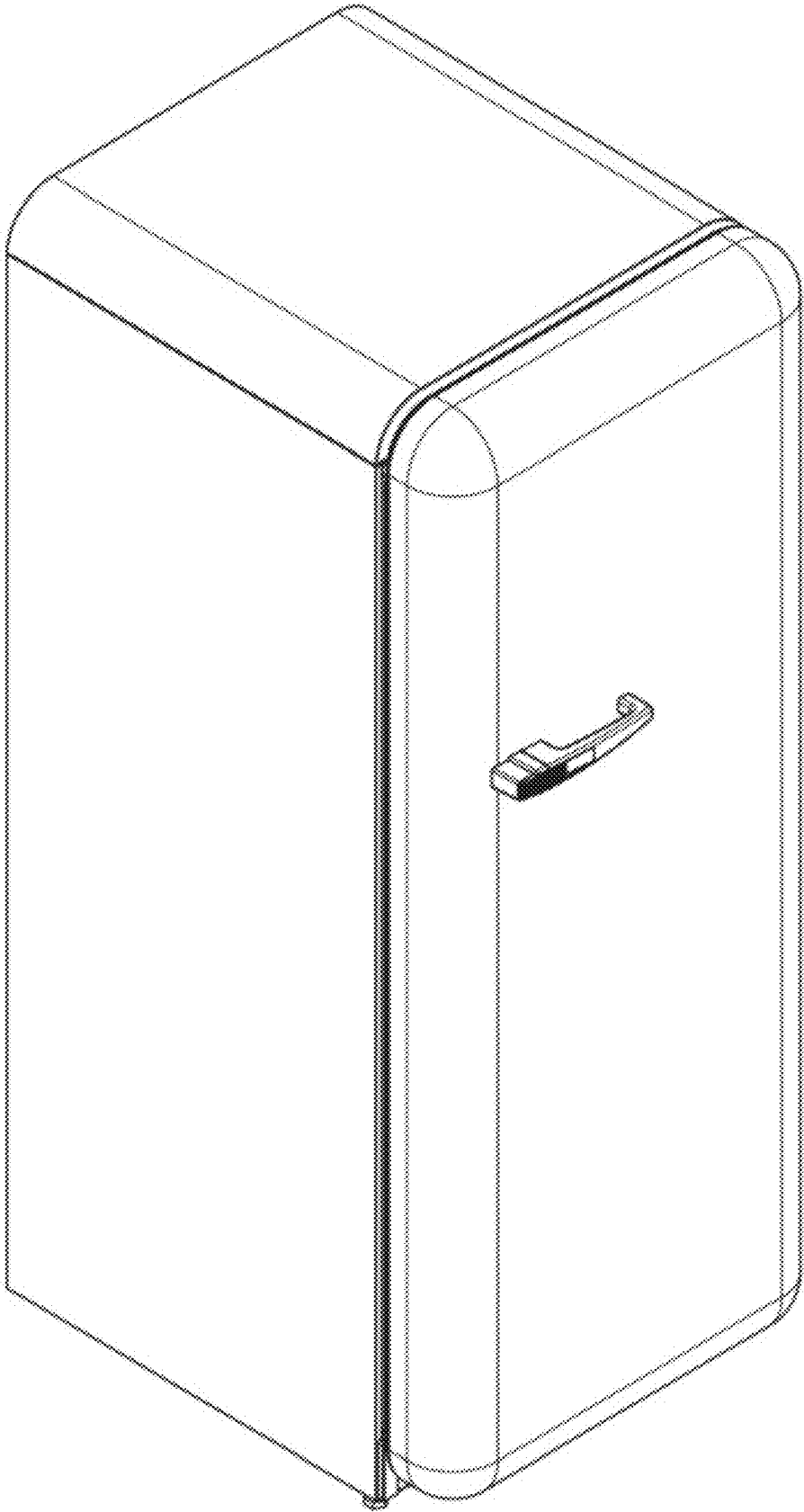
**1 Claim, 7 Drawing Sheets**



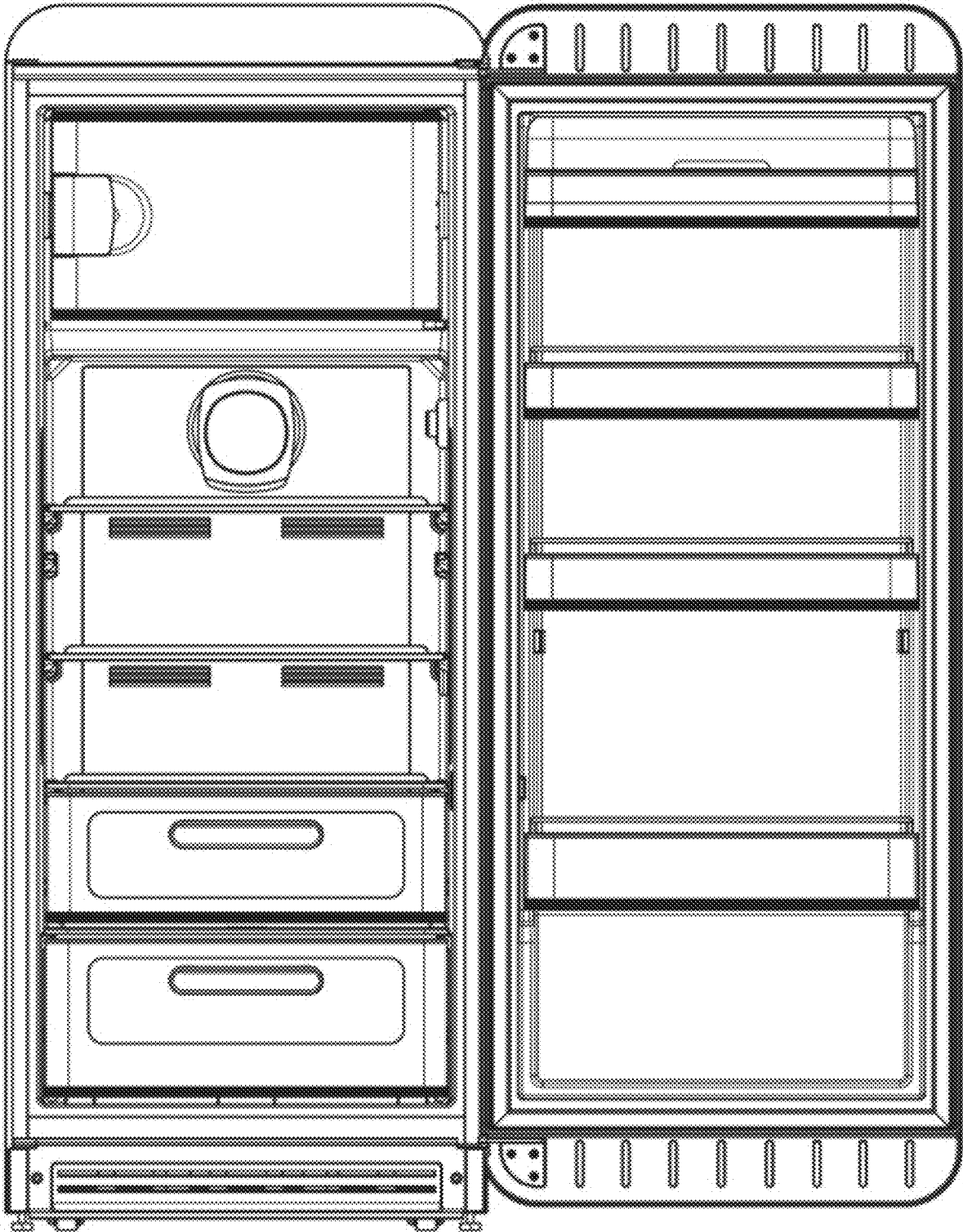
1.1



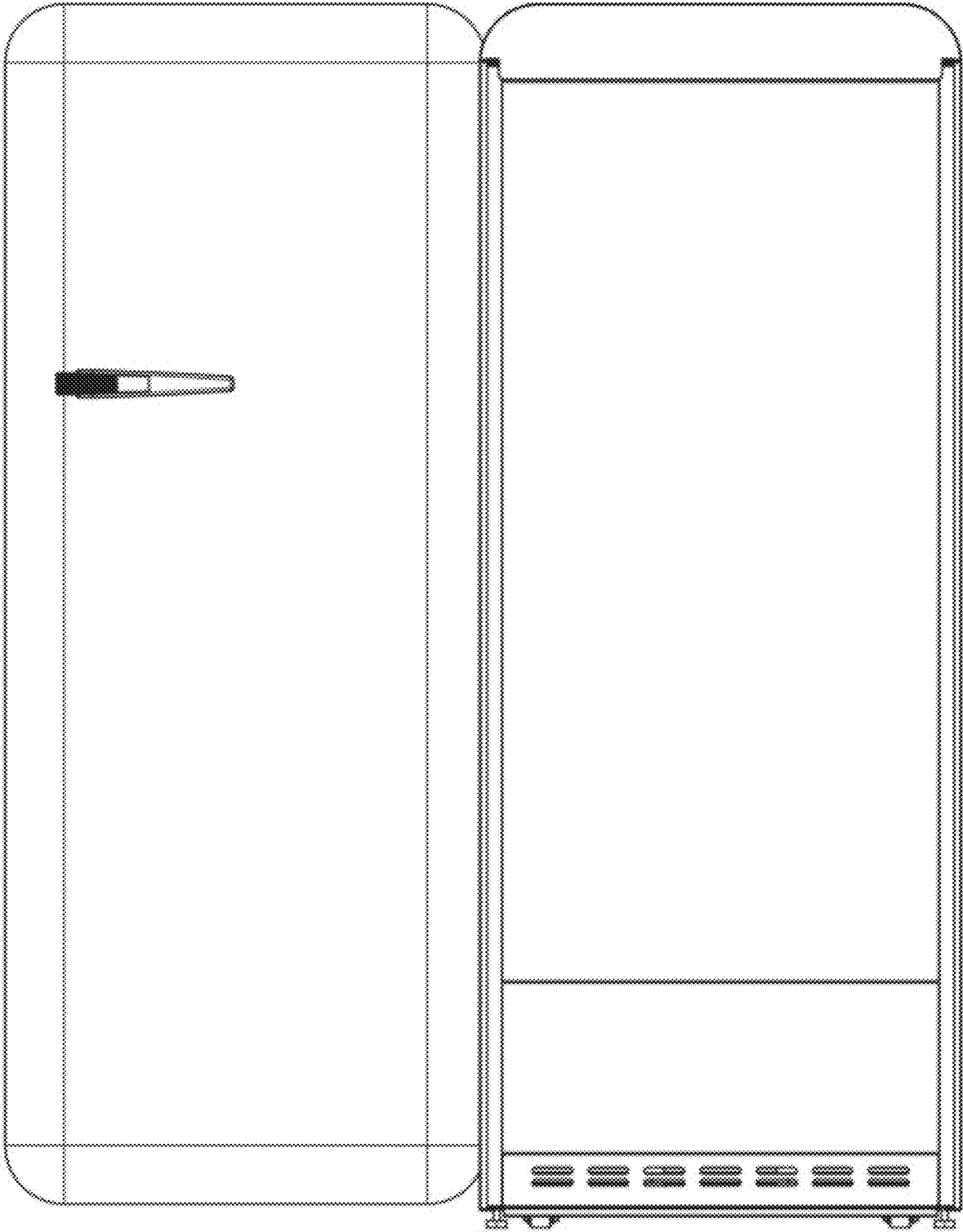
1.2



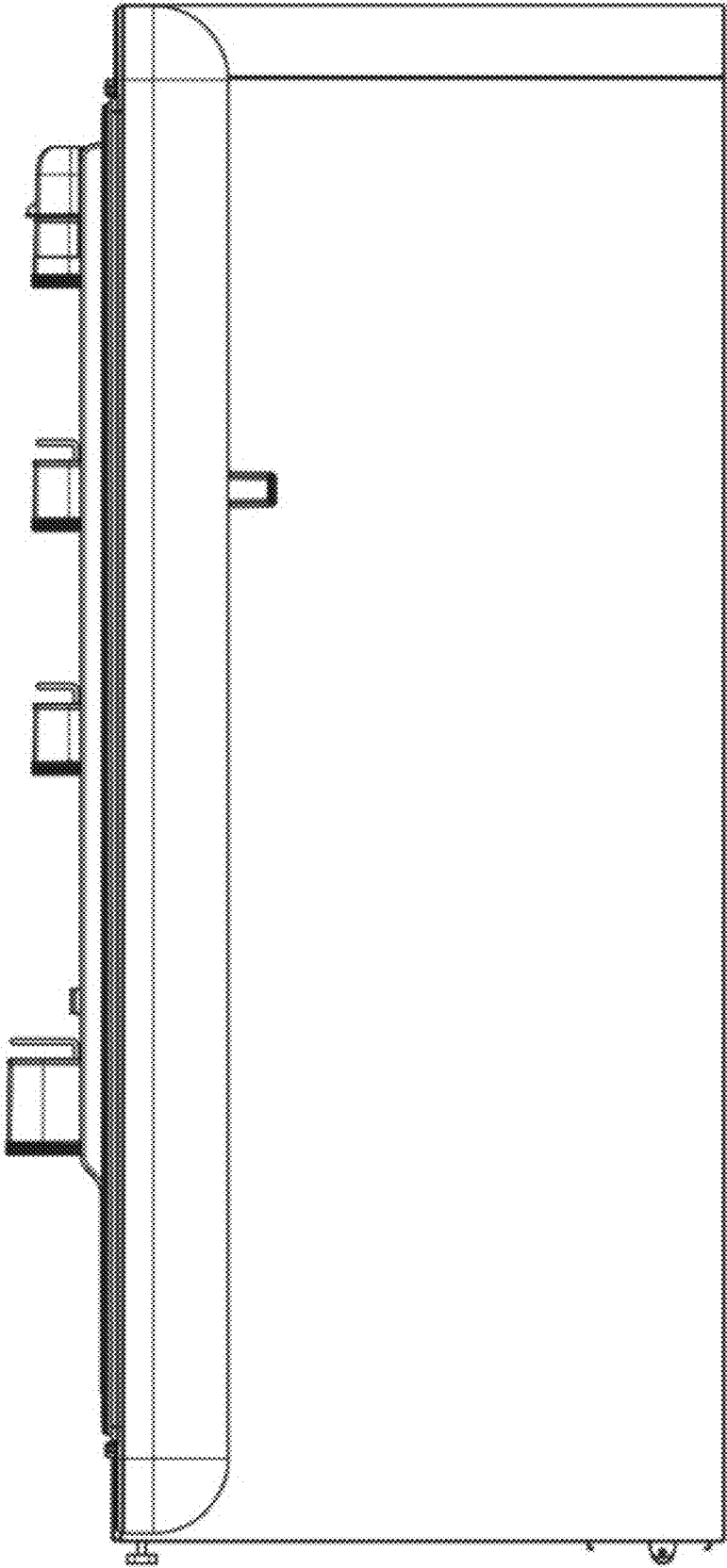
1.3



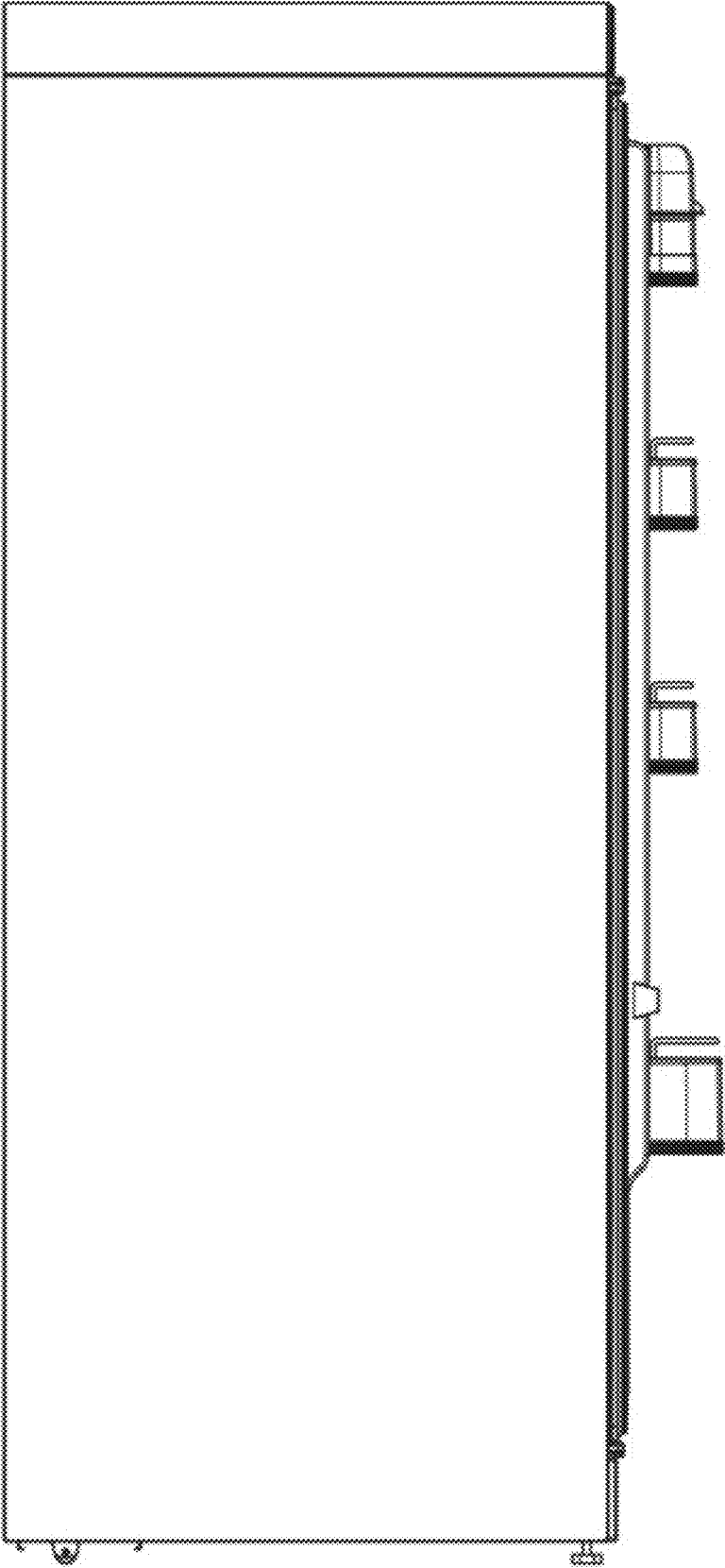
1.4



1.5



1.6



1.7

