



US00D834383S

(12) **United States Design Patent**
Bazzicalupo et al.

(10) **Patent No.:** **US D834,383 S**

(45) **Date of Patent:** **** Nov. 27, 2018**

- (54) **FRUIT JUICE EXTRACTOR**
- (71) Applicant: **SMEG S.P.A.**, Guastalla (IT)
- (72) Inventors: **Leopoldo Bazzicalupo**, Sale Marasino (IT); **Raffaella Mangiarotti**, Milan (IT)
- (73) Assignee: **SMEG S.P.A.** (IT)
- (**) Term: **15 Years**

D670,138 S *	11/2012	Hu	D7/665
D684,827 S *	6/2013	Kim	D7/665
D698,210 S *	1/2014	Lavy	D7/665
D718,094 S *	11/2014	Yan	D7/665
D733,505 S *	7/2015	Choi	D7/665
D739,686 S *	9/2015	Benoit	D7/665
D744,792 S *	12/2015	Kim	D7/665
D772,023 S *	11/2016	Allende Fritsch	D7/665
D775,491 S *	1/2017	Brinkley	D7/372

* cited by examiner

- (21) Appl. No.: **35/502,408**
- (22) Filed: **Jan. 5, 2017**

Primary Examiner — Michael A. Pratt
(74) *Attorney, Agent, or Firm* — The Belles Group, P.C.

(80) **Hague Agreement Data**

Int. Filing Date: **Sep. 29, 2016**
Int. Reg. No.: **DM/094455**
Int. Reg. Date: **Jan. 5, 2017**
Int. Reg. Pub. Date: **Feb. 3, 2017**

(57) **CLAIM**

The ornamental design for a fruit juice extractor, as shown and described.

- (51) **LOC (11) Cl.** **31-00**
- (52) **U.S. Cl.**
USPC **D7/665**

DESCRIPTION

1. Fruit juice extractor
1.1 is a perspective view of a fruit juice extractor in accordance with the present design;
1.2 is a front view thereof;
1.3 is a right side view thereof;
1.4 is a left side view thereof;
1.5 is a rear view thereof;
1.6 is a top view thereof; and
1.7 is a bottom view thereof.
The broken lines shown represent portions of the article that form no part of the claimed design.

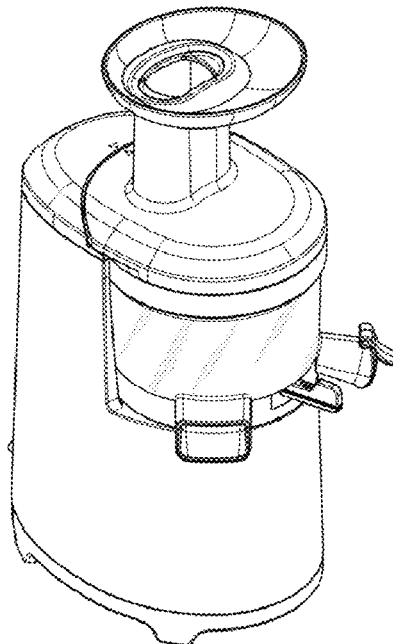
- (58) **Field of Classification Search**
USPC D7/665-668, 372, 376, 381, 382
CPC A47J 19/02; A47J 19/027; A47J 19/00;
A47J 19/06; A47J 19/022; A47J 43/046;
A47J 43/0794; A23N 1/02; A23N 1/003
See application file for complete search history.

(56) **References Cited**

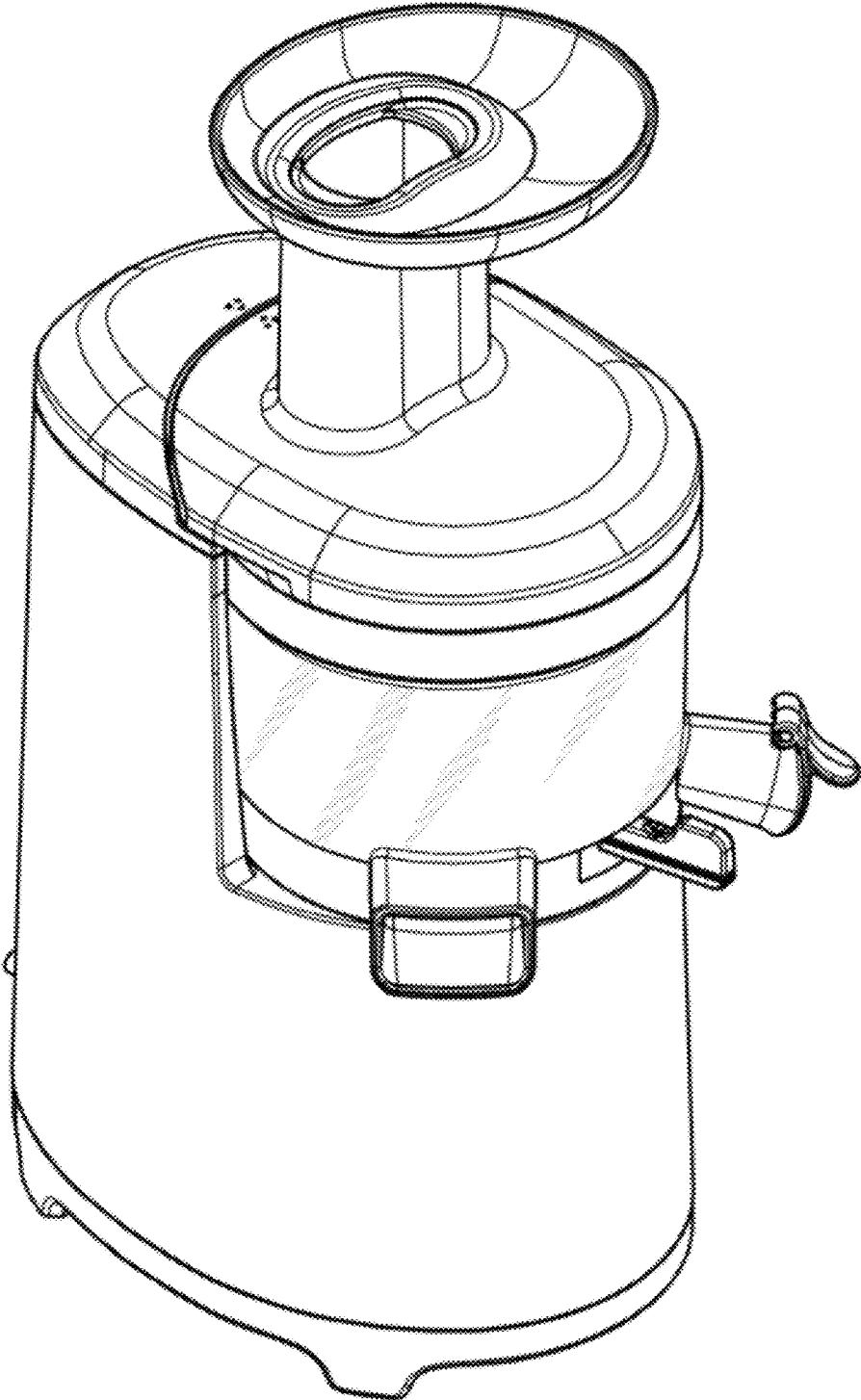
U.S. PATENT DOCUMENTS

D594,717 S *	6/2009	Wu Chang	D7/665
D641,214 S *	7/2011	Choi	D7/665

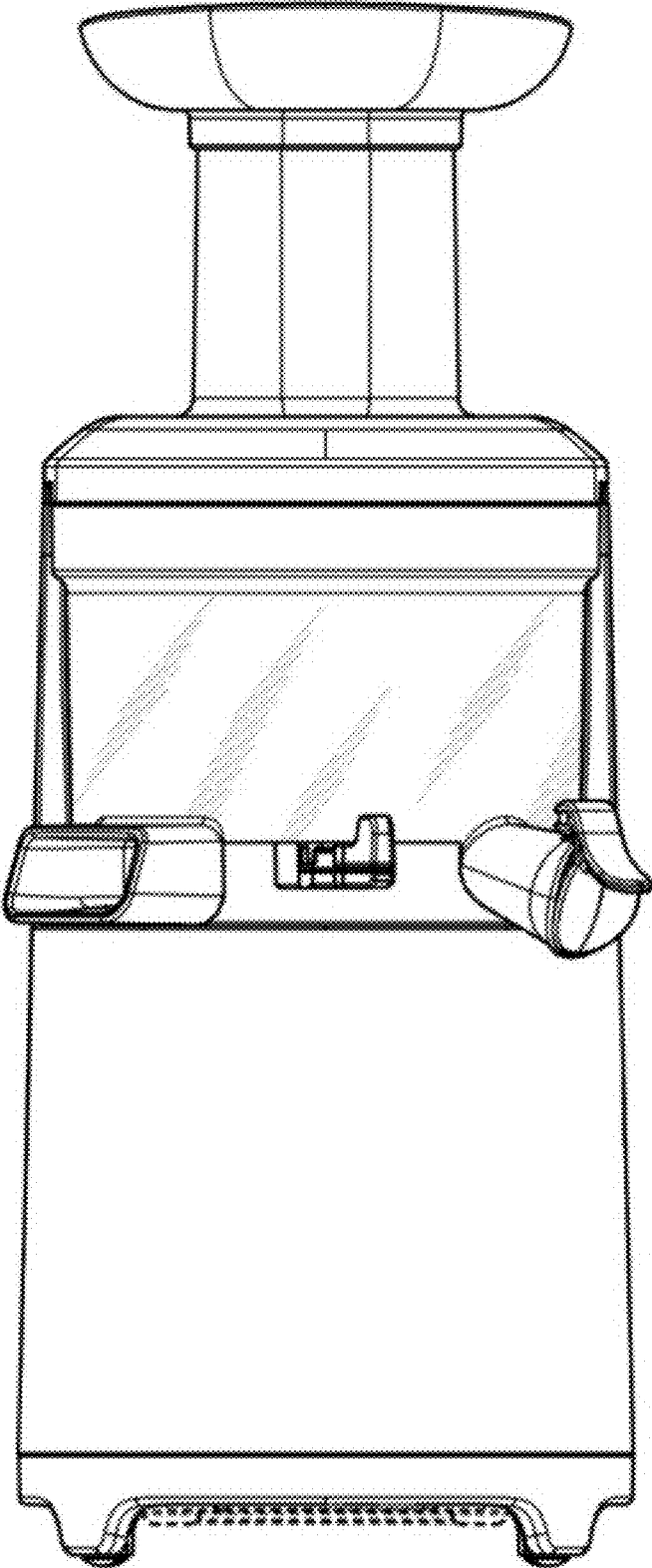
1 Claim, 7 Drawing Sheets



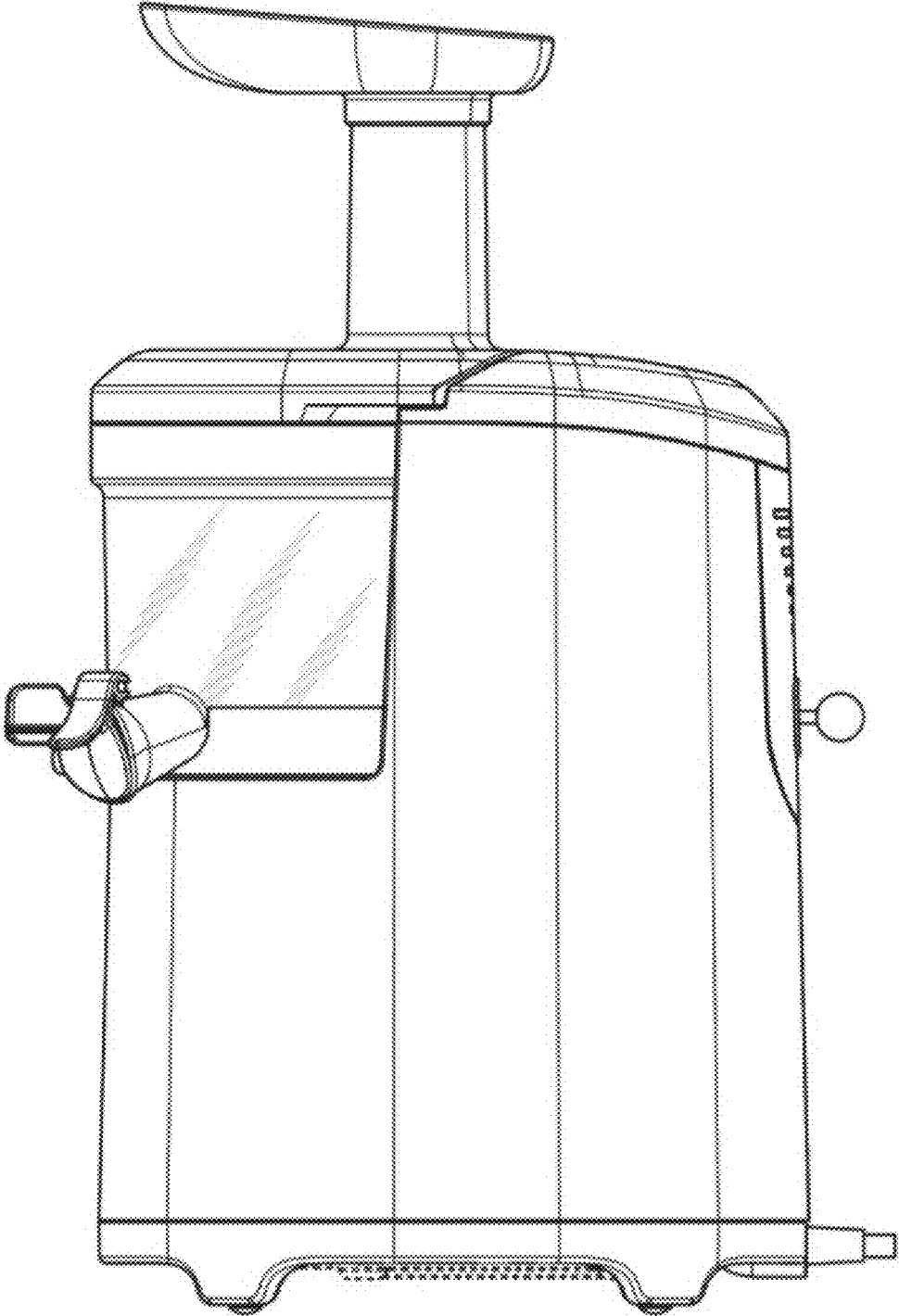
1.1



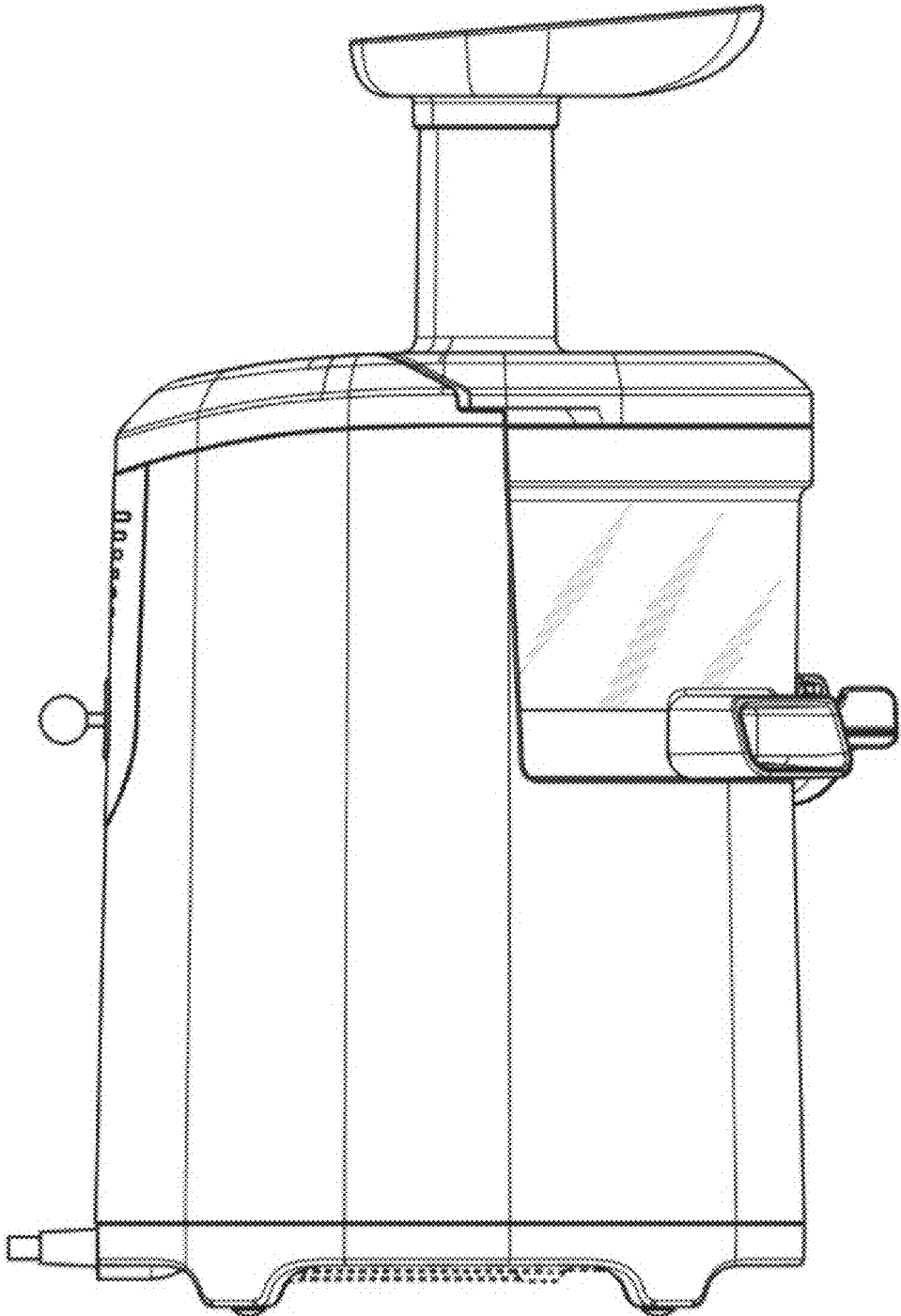
1.2



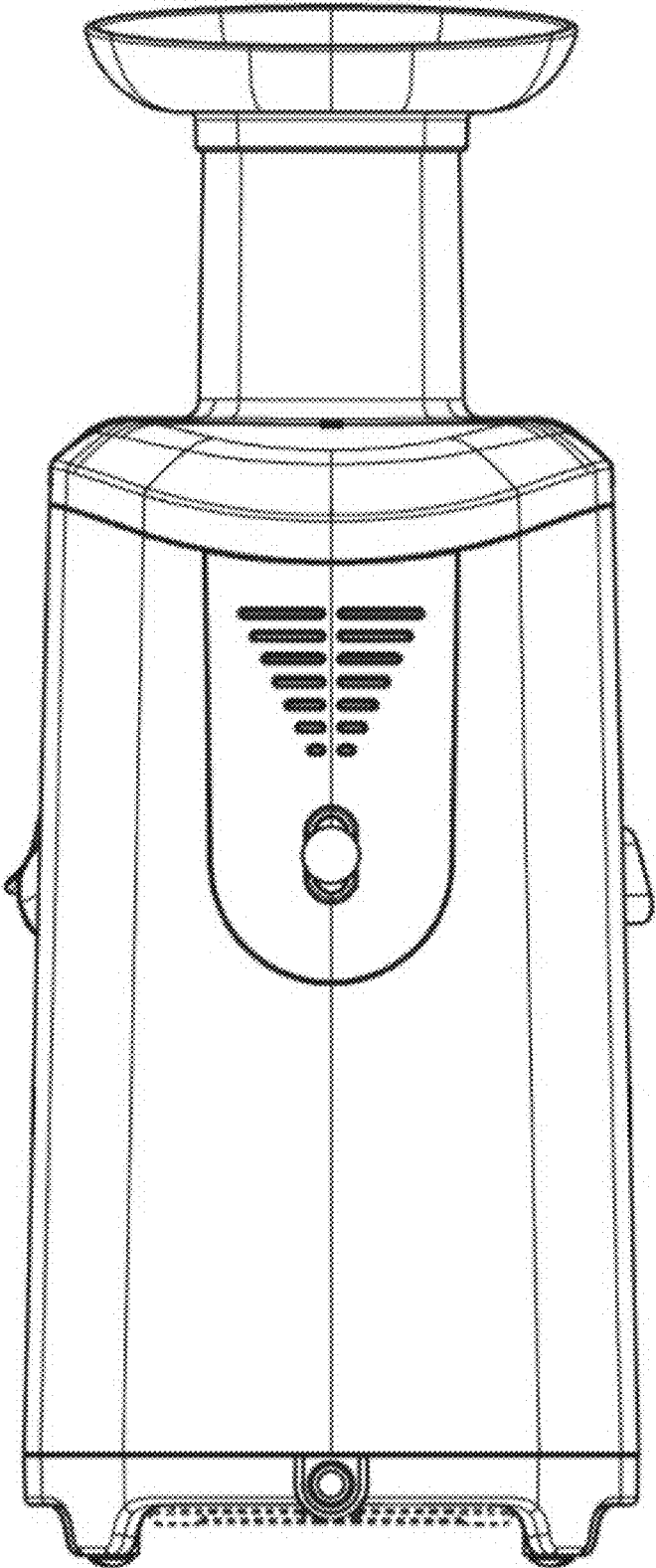
1.3



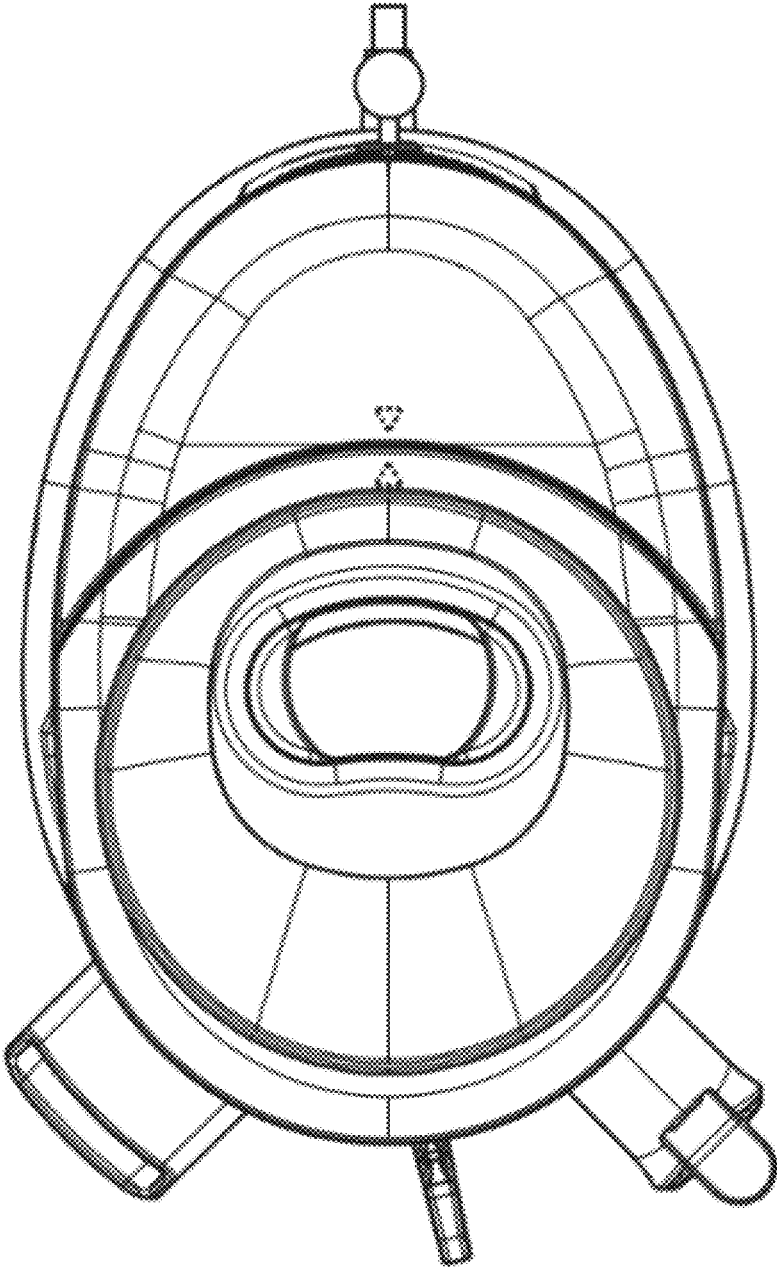
1.4



1.5



1.6



1.7

