



US00D876872S

(12) **United States Design Patent**
Bazzicalupo et al.

(10) **Patent No.:** **US D876,872 S**
(45) **Date of Patent:** **** Mar. 3, 2020**

- (54) **TOASTER**
- (71) Applicant: **SMEG S.P.A.**, Guastalla (IT)
- (72) Inventors: **Leopoldo Bazzicalupo**, Sale Marasino (IT); **Raffaella Mangiarotti**, Milan (IT)
- (73) Assignee: **SMEG S.P.A.** (IT)
- (**) Term: **15 Years**
- (21) Appl. No.: **35/505,376**
- (22) Filed: **Jan. 25, 2018**

D554,932 S *	11/2007	Kim	D7/330
D554,933 S *	11/2007	Kim	D7/330
D569,167 S *	5/2008	Bonin	D7/330
D577,533 S *	9/2008	Robinson	D7/330
D598,697 S *	8/2009	De Pra'	D7/330
D640,894 S *	7/2011	Duncan	D7/330
D655,126 S *	3/2012	Gregory	D7/330
D663,993 S *	7/2012	Prevete	D7/330
D702,074 S *	4/2014	De'Longhi	D7/330
D730,676 S *	6/2015	Palmer	D7/330
D746,093 S *	12/2015	Bazzicalupo	D7/330
D749,348 S *	2/2016	Carlson	D7/330
D761,610 S *	7/2016	Carpenter	D7/330
D777,501 S *	1/2017	Lee	D7/330
D792,147 S *	7/2017	Averty	D7/330
D798,098 S *	9/2017	Boumay, Jr.	D7/330
D823,631 S *	7/2018	Gort-Barten	D7/330
D838,534 S *	1/2019	Bodum	D7/330

(80) **Hague Agreement Data**

Int. Filing Date: **Jan. 25, 2018**
 Int. Reg. No.: **DM/100442**
 Int. Reg. Date: **Jan. 25, 2018**
 Int. Reg. Pub. Date: **Jul. 27, 2018**

* cited by examiner

Primary Examiner — Mary Ann Calabrese
Assistant Examiner — Jennifer L Rempfer
 (74) *Attorney, Agent, or Firm* — The Belles Group, P.C.

(51) **LOC (12) Cl.** **07-02**

(52) **U.S. Cl.**
USPC **D7/330**

(58) **Field of Classification Search**
 USPC D24/323, 328–330, 390; D7/323,
 D7/328–330, 390, 354
 CPC A47J 37/00; A47J 37/06; A47J 37/0611;
 A47J 37/08; A47J 37/0807; A47J
 37/0814; A47J 37/0835; A47J 37/0842;
 A47J 37/085; A47J 37/0864; A47J
 37/0878; A47J 37/0885; A47J 37/0892;
 A21B 2/00; F24C 15/10; F24C 15/102
 See application file for complete search history.

(57) **CLAIM**

The ornamental design for a toaster, as shown and described.

DESCRIPTION

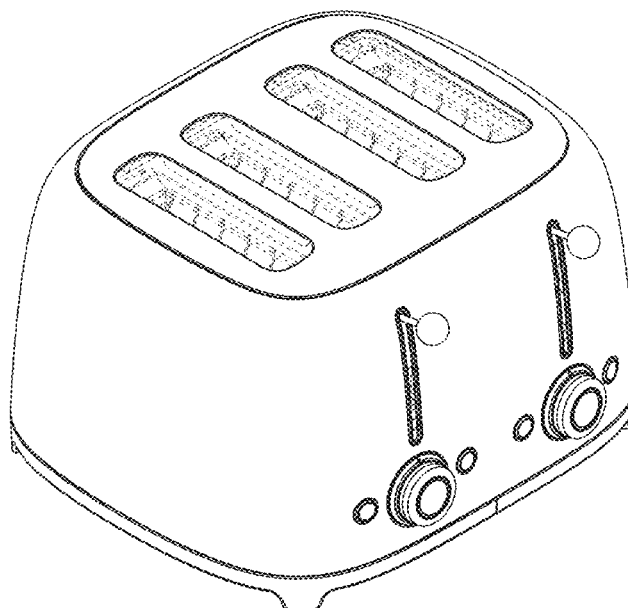
FIG. 1.1 is a front perspective view of a toaster in accordance with the present design;
 FIG. 1.2 is a rear perspective view thereof;
 FIG. 1.3 is a front view thereof;
 FIG. 1.4 is a rear view thereof;
 FIG. 1.5 is a left side view thereof;
 FIG. 1.6 is a top view thereof; and
 FIG. 1.7 is a bottom view thereof.
 The broken lines show portions of the toaster that form no part of the claimed design.

(56) **References Cited**

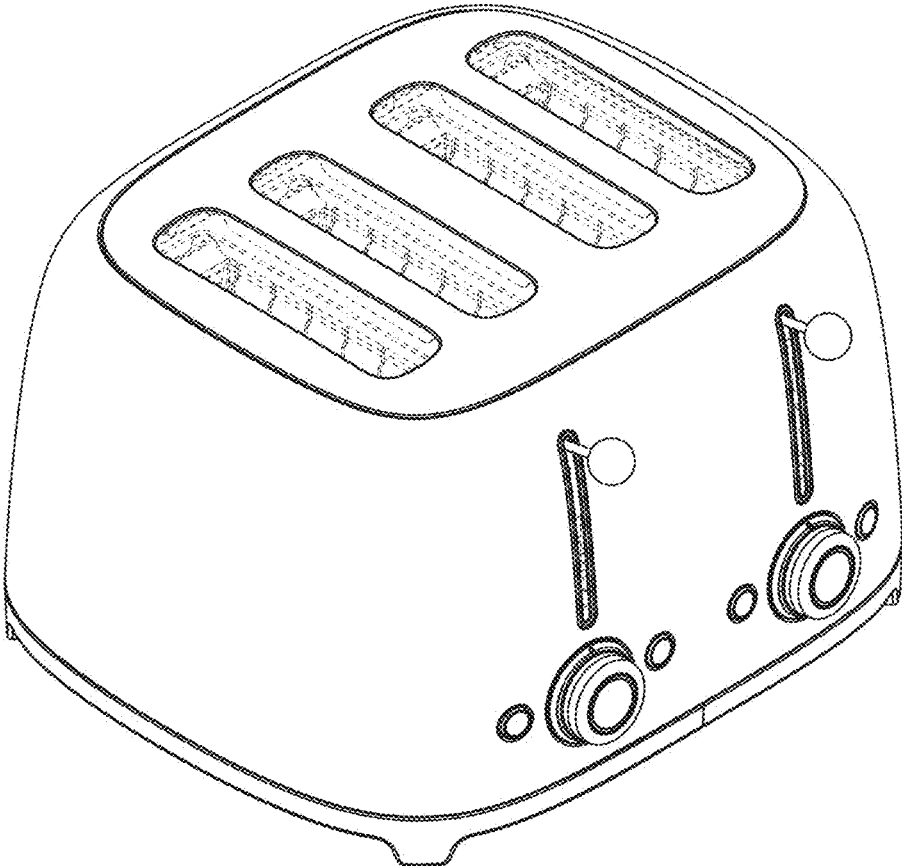
U.S. PATENT DOCUMENTS

D510,676 S *	10/2005	Picozza	D7/330
D554,931 S *	11/2007	Genslak	D7/330

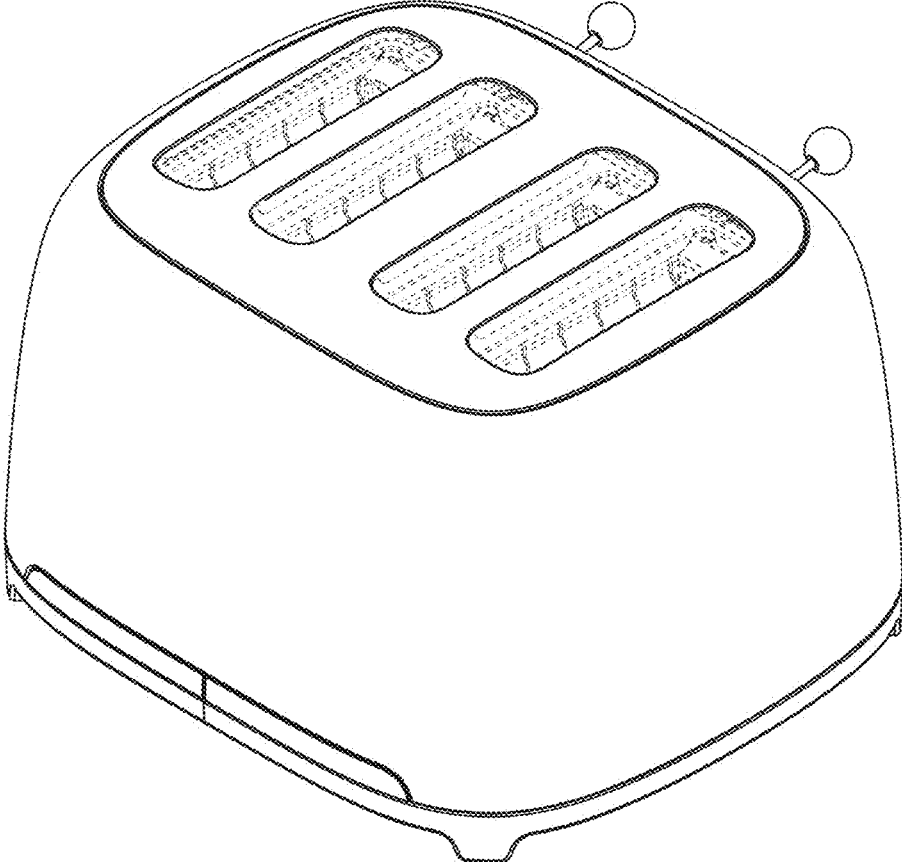
1 Claim, 7 Drawing Sheets



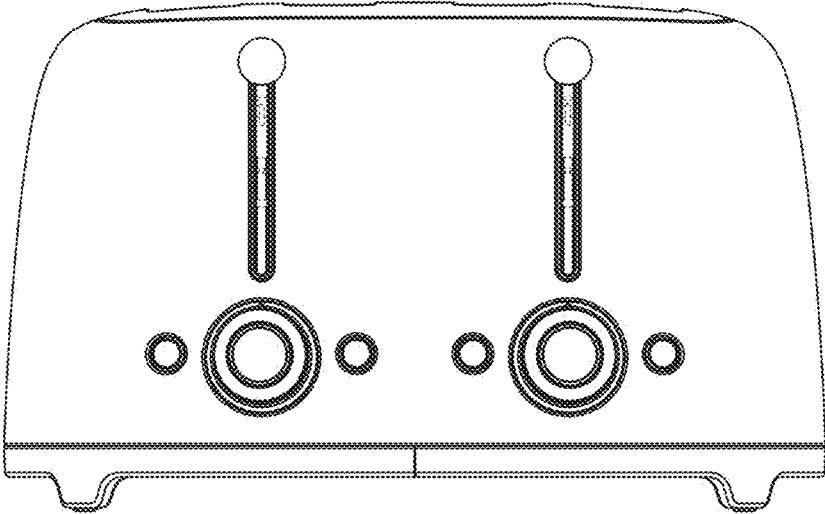
1.1



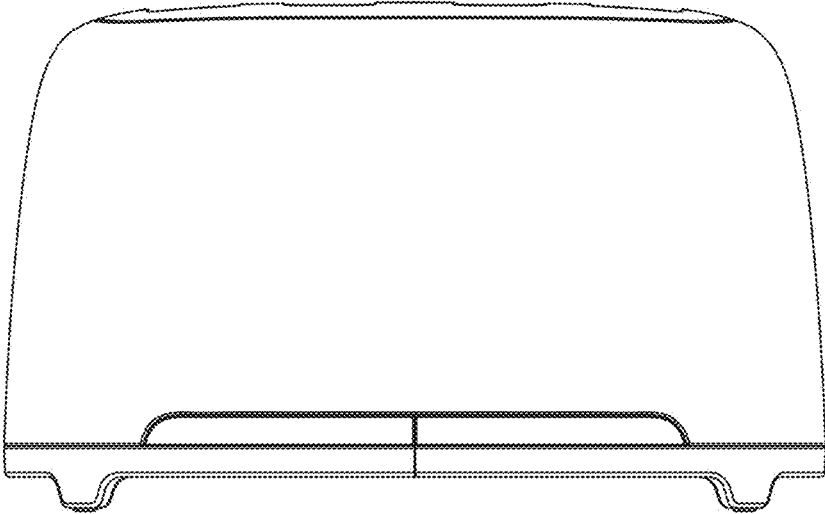
1.2



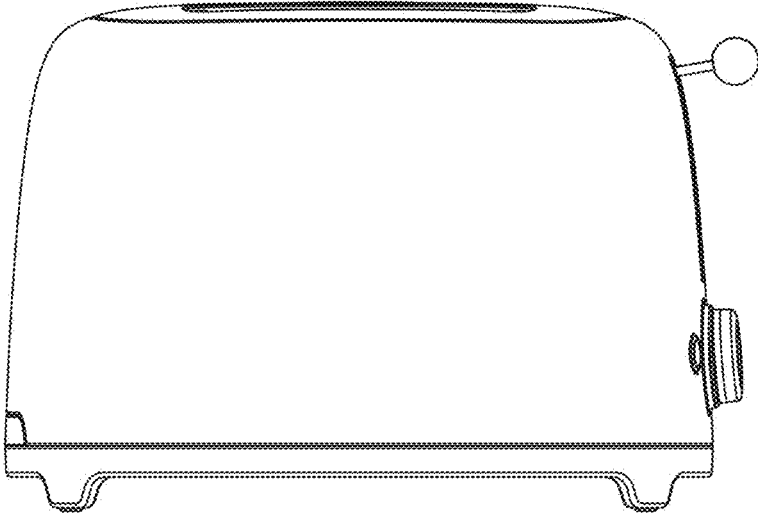
1.3



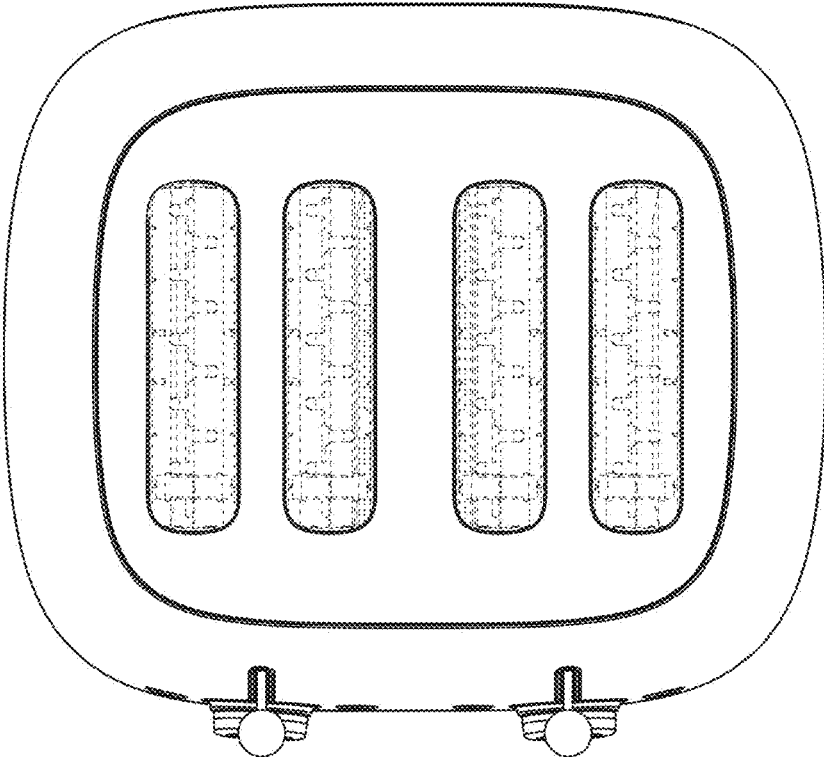
1.4



1.5



1.6



1.7

